

DESCRIPTION:

Please always use the Template ID for further communication.



Product: TVTI-GDOB-17H3-001

Template ID:

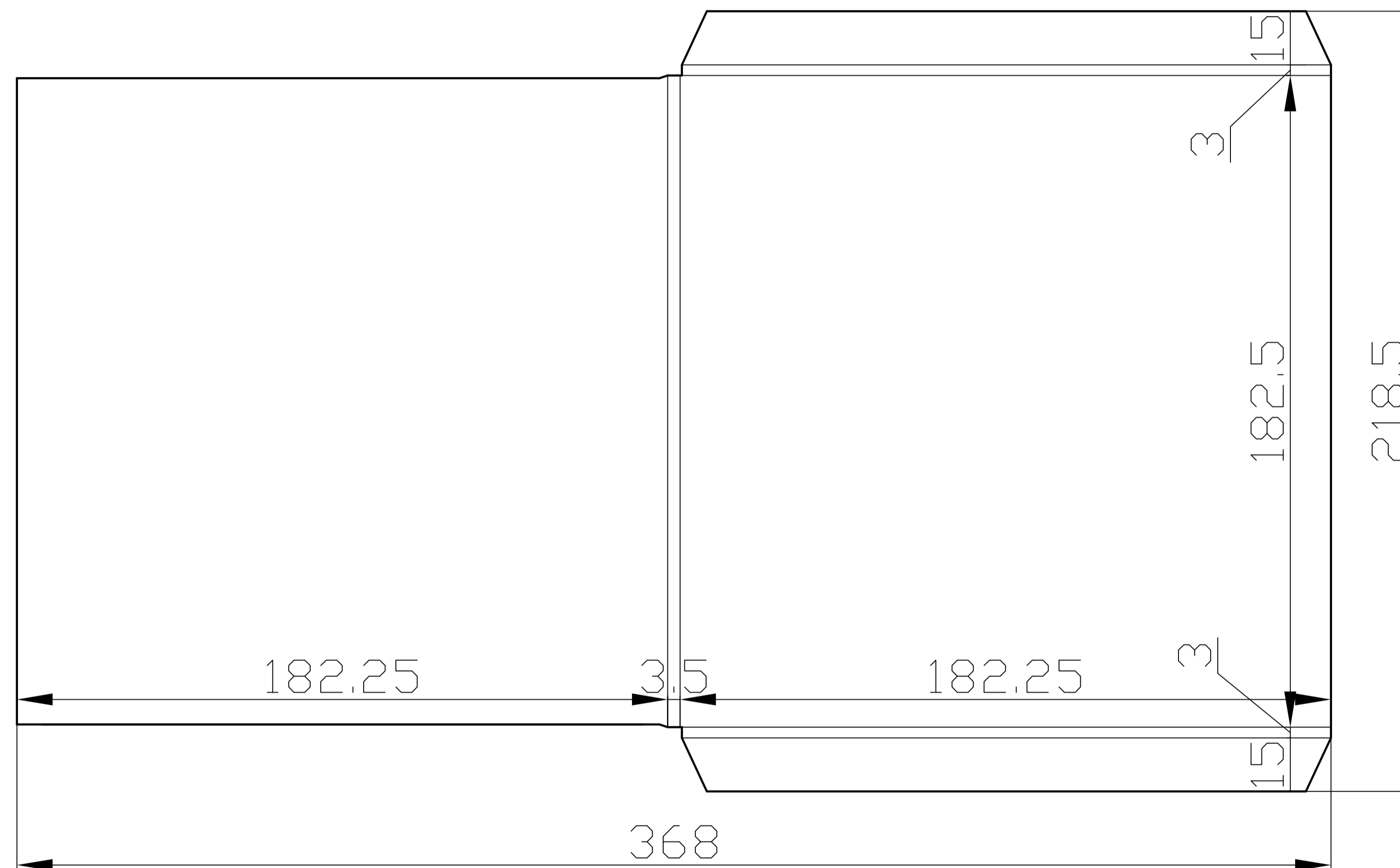
Closed format:

Open format:

- CUT
- CREASE
- BLEED
- PERF

Note:

Scale: 1:1



please keep on bleed area 3mm all around paper cut line